

APPLICATION

Small-aperture medium-distribution downlight is suitable for commercial, retail and institutional applications that require an energy saving, long life LED lamp source, excellent color rendering characteristics and shallow fixture height.

PRODUCT DATA

FRAME IN KIT/HOUSING: Available to ship and preinstall prior to insertion of downlight (DLA) assembly. Heavy-gauge galvanized steel housing provides a secure mounting platform for the electrical components and protects the optical assembly. Standard plaster flange allows one-inch ceiling thickness. LED module is accessible from below.

REFLECTOR: The parabolic reflector eliminates glare. A 5/8" overlap flange is standard. Supplied standard with Specular Clear Alzak, other reflector finishes are available in order to provide maximum flexibility to the designer.

DECORATIVE GLASS ELEMENT: Frosted glass elements are available in four styles. Self-bayoneting design allows glass to be securely retained without any visible hardware.

MOUNTING: Universal mounting brackets adjust vertically and accept L-BAR interlocking, expandable, c-channel hanger bars which are supplied standard. L-BARS are suitable for T-bar, wood joist, and metal joist ceiling styles. Additional features on last page.

ELECTRICAL: Standard 120 or 277 VAC, 50-60 Hz. Optional 347V (E3).

JUNCTION BOX: Heavy-gauge galvanized junction box pre-wired with grounding pigtail. Easy access covers. Multiple conduit knockouts listed for through branch circuit wiring.

LED MODULE & DRIVER: LED module and Xitanium drivers are manufactured by Philips Lighting. 80 CRI standard. 90 CRI available.

DIMMING: Standard product is compatible with 0-10 volt dimming controls. See below for additional options.

HEAT MANAGEMENT: Engineered heat sink provides passive cooling for optimum heat management of the LED engine.

- Expected lamp life to be 50,000 hours with 70% lumen maintenance when ambient temperatures do not exceed 45°C. Lower ambient temperatures yield longer lamp life.

CALIBER
COMMERCIAL

SERIES 4SFKG/4SFL2X DECO GLASS

Shallow Plenum LED Downlight 573-1678 Lumen

5 Year Warranty



GIW – Miriam Glass



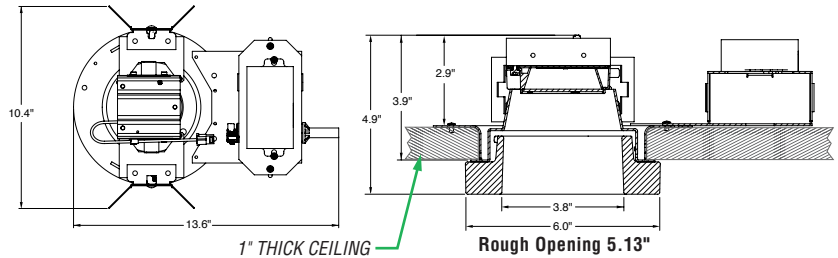
GFW – Park Avenue Glass



GCW – Essex Glass



GSW – Deco Glass



Intertek

For Damp Location

Catalog #:

4SFK/4SFL2X

Example: 4SFKG/4SF2X1135KE1DAGIWSCLPFEM

Frame-In Kit	DLA Assembly	Lumens	Color Temp.	Input Voltage	Dimming	Trim Finish w/polished flange
4SFKG	4SFL2X	8 = (800L, 9W) 11 = (1100L, 12W) 15 = (1500L, 15W) 20 = (2000L, 21W) C9 = 90 CRI <i>See next page for delivered lumens data.</i>	5K** (5000K) 4K (4000K) 35K (3500K) 3K (3000K) 27K* (2700K)	E1 120 Volt E2 277 Volt E3 347 Volt [^]	DA Xitanium 1% 0-10V (linear) standard <i>More Options On Next Page</i>	GIW – Miriam Glass GFW – Park Avenue Glass GCW – Essex Glass GSW – Deco Glass SCLPF – Soft Specular Clear Alzak Finish HAZPF – Haze Alzak <i>For white painted flange, drop "PF" from Catalog #. For other finishes, consult last page.</i>

[^] 347V input (E3) options are not compatible with emergency battery options.

* 90 CRI Only

** 80 CRI Only

Options

- ☐ EM[†] = Emergency Battery Pack w/remotely located Test Switch

Fixture:	Type:
Project:	

Manufactured and tested to UL#1598/8750 and CSA standards. Fixtures are not designed for direct contact with insulation. All Pathway® products meet or exceed requirements as established by the National Electrical Code. Specifications subject to change without notice. Alzak® is a registered trademark of Alcoa.

PATHWAY
LIGHTING

Pathway Lighting Products, Inc., P.O. Box 591, Old Saybrook, CT 06475-0591
 voice 800.342.0592 • fax 800.207.0090 • www.pathwaylighting.com • e-mail: sales@pathwaylighting.com

LDFX22.1
CEUMUN

Dimming Options:

Specify option by suffix (shown in bold-face type)

Our White Paper regarding Linear vs. Logarithmic Operating Characteristics is available in our 'Downloads' section of our website, or you may request one my emailing Sales@PathwayLighting.com

0-10V Dimming Options	Lutron Dimming Options	DALI Dimming Options
DA = Xitanium 1% 0-10V (linear) DB = Xitanium 1% 0-10V (logarithmic) DC = EldoLED 0-10V 0% (logarithmic) DD = EldoLED 0-10V 1% (logarithmic) DE = EldoLED 0-10V 0% (linear) DF = EldoLED 0-10V 1% (linear)	DG = Lutron Eco 1% (linear) DH = Lutron 3 wire 1% (linear) DJ = Lutron 2 wire 1% (linear)	DK = EldoLED DALI 0% (logarithmic) DL = EldoLED DALI 1% (logarithmic)
DMX Dimming Options	Misc. Dimming Options	
RDM COMPLIANT XG = DMX EldoLED 0% (logarithmic) XH = DMX EldoLED 0% (linear)	DM = 2-Wire Forward/Reverse Phase (120V)	

Delivered Lumen Data (3500K Color Temperature)

FIXTURE	LENS	RATED LUMENS	WATTAGE	DELIVERED LUMENS	BEAM DISTRIBUTION	LPW
4SFL2X835KGCWCLPF	ESSEX GLASS	800	9	628	74°	69.8
4SFL2X1135KGCWCLPF	ESSEX GLASS	1100	12	897	74°	74.7
4SFL2X1535KGCWCLPF	ESSEX GLASS	1500	15	1238	74°	82.6
4SFL2X2035KGCWCLPF	ESSEX GLASS	2000	21	1678	74°	79.9
4SFL2X835KGFWSCLPF	PARK AVENUE GLASS	800	9	573	84°	63.7
4SFL2X1135KGFWSCLPF	PARK AVENUE GLASS	1100	12	818	84°	68.2
4SFL2X1535KGFWSCLPF	PARK AVENUE GLASS	1500	15	1130	84°	75.3
4SFL2X2035KGFWSCLPF	PARK AVENUE GLASS	2000	21	1532	84°	72.9
4SFL2X835KGIWCLPF	MIRIAM GLASS	800	9	604	63°	67.2
4SFL2X1135KGIWCLPF	MIRIAM GLASS	1100	12	863	63°	71.9
4SFL2X1535KGIWCLPF	MIRIAM GLASS	1500	15	1192	63°	79.5
4SFL2X2035KGIWCLPF	MIRIAM GLASS	2000	21	1615	63°	76.9
4SFL2X835KGSWCLPF	DECO GLASS	800	9	620	64°	68.9
4SFL2X1135KGSWCLPF	DECO GLASS	1100	12	886	64°	73.8
4SFL2X1535KGSWCLPF	DECO GLASS	1500	15	1223	64°	81.5
4SFL2X2035KGSWCLPF	DECO GLASS	2000	21	1657	64°	78.9

Scaling factors for other color temperatures: 3000K = 0.97 ; 4000K = 1.03 ; 5000K = 0.98
90 CRI = 0.83

Available Reflector Finishes



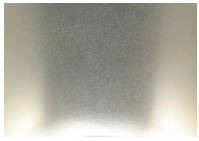
Clear
Soft Specular **"SCL"**



Pewter
Diffused **"EPW"**
Soft Specular **"SPW"**



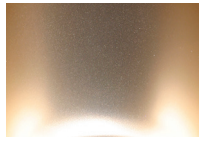
Haze
Diffused **"HAZ"**



Straw
Diffused **"EST"**
Soft Specular **"SST"**



Bronze
Diffused **"EBZ"**
Soft Specular **"SBZ"**

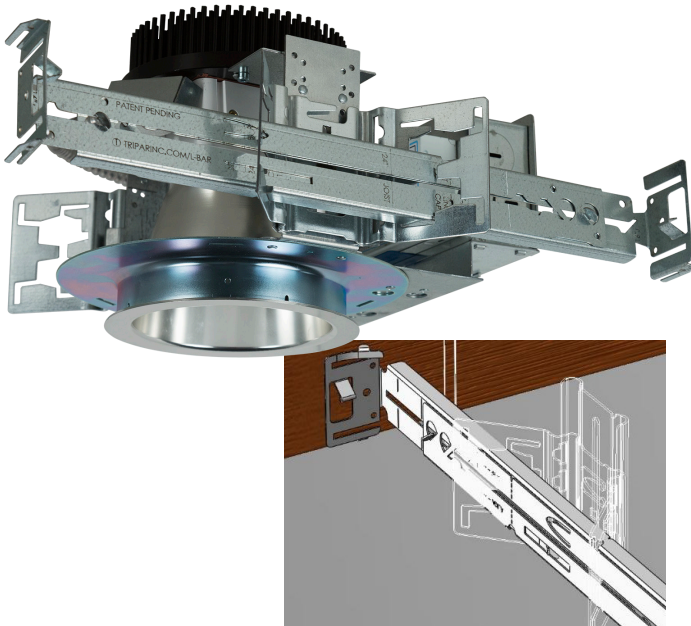


Wheat
Diffused **"EWT"**
Soft Specular **"SWT"**

Our standard reflector finish is soft specular clear Alzak (SCL) with a polished self-flange (PF). Additional hues are noted to left. Several of these are offered in both a soft specular and a diffused/matte finish. For colors not shown, contact our sales department for advice on custom anodized finishes.

Specified suffix of desired finish.
Example: 4VLEDSCLPF
For white painted flange omit PF.

Standard Hanger Bars



Interlocking L-Bar hanger bars are now standard with all recessed Coventry Architectural lighting fixtures. Installer friendly features include:

- L-Bars are fabricated from identical L-shaped cross sections that form a sturdy 1/2" by 1-1/2" C-channel profile for superior rigidity.
- Pre-marked with spacing locations for 24" T-bar; 16" and 24" joist ceilings (wood and metal).
- Extension locks with an easy-to-use integral twist tab. No separate fastener.
- Interlocking and expandable to 24". Can be increased to 36" or 48" with the use of one additional bars.
- Allows for offset mounting.
- Integral and barbed nail spike for wood joist ceilings.
- Fits into the c-channel notches on our butterfly mounting bracket.
- Complete details including video demonstration is available at www.pathwaylighting.com.

To increase the included L-Bar set to a 36" length, order two model #015-954 and use one per side. To increase to a 48" length, order one #LBAR which is a complete set of four bars and use two per side.