

APPLICATION

Small-aperture medium-distribution downlight is suitable for commercial, retail and institutional applications that require an energy saving, long life LED lamp source, excellent color rendering characteristics and shallow fixture height.

PRODUCT DATA

FRAME IN KIT/HOUSING: Available to ship and preinstall prior to insertion of downlight (DLA) assembly. Heavy-gauge galvanized steel housing provides a secure mounting platform for the electrical components and protects the optical assembly. Standard plaster flange allows one-inch ceiling thickness. LED module is accessible from below.

REFLECTOR: Heavy-gauge aluminum reflector features a regressed lens. Available options include antimicrobial gasket. Tamperproof option prevents unauthorized access to fixture. Specular Clear Alzak is standard; other finishes available for design flexibility.

MOUNTING: Universal mounting brackets adjust vertically and accept L-BAR interlocking, expandable, c-channel hanger bars which are supplied standard. L-BARS are suitable for T-bar, wood joist, and metal joist ceiling styles. Additional features on last page.

ELECTRICAL: Standard 120 or 277 VAC, 50-60 Hz. Optional 347V (E3).

JUNCTION BOX: Heavy-gauge galvanized junction box pre-wired with grounding pigtail. Easy access covers. Multiple conduit knockouts listed for through branch circuit wiring.

LED MODULE & DRIVER: LED module and Xitanium drivers are manufactured by Philips Lighting. 80 CRI standard. 90 CRI available.

DIMMING: Standard product is compatible with 0-10 volt dimming controls. See below for additional options.

HEAT MANAGEMENT: Engineered heat sink provides passive cooling for optimum heat management of the LED engine.

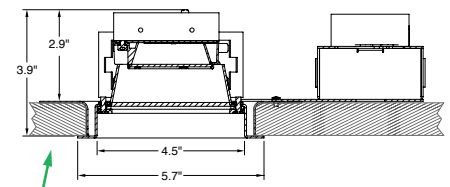
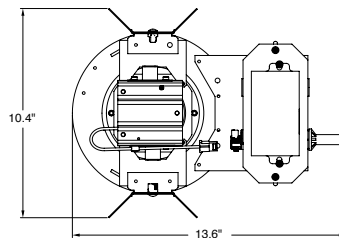
- Expected lamp life to be 50,000 hours with 70% lumen maintenance when ambient temperatures do not exceed 45°C. Lower ambient temperatures yield longer lamp life.

CALIBER
COMMERCIAL

SERIES 4SFKG/4SFL2X RL

Shallow Plenum LED Downlight 581-1762 Lumen

**5 Year
Warranty**



Rough Opening 5.13"

1" THICK CEILING



Intertek

Wet Location Under
Covered Ceiling

Catalog #:

4SFK/4SFL2X

Frame-In Kit	DLA Assembly	Lumens	Color Temp.	Input Voltage	Dimming	Trim Finish w/polished flange
4SFKG	4SFL2X	<p>8 = (800L, 9W) 11 = (1100L, 12W) 15 = (1500L, 15W) 20 = (2000L, 21W)</p> <p>C9 = 90 CRI</p> <p>See next page for delivered lumens data.</p>	<p>5K (5000K) 4K (4000K) 35K (3500K) 3K (3000K) 27K* (2700K)</p>	<p>E1 120 Volt E2 277 Volt E3 347 Volt[^]</p>	<p>DA Xitanium 1% 0-10V (linear) standard</p> <p>More Options On Next Page</p>	<p>RL1 – Clear Polycarbonate Lens RL2 – Clear Tempered Glass Lens RL3 – Frosted Acrylic Lens[§] SCLPF – Soft Specular Clear Alzak HAZPF – Haze Alzak TP – Tamperproof AM – Antimicrobial White Painted Finish</p> <p>For white painted flange, drop "PF" from Catalog #. For other finishes, consult last page.</p>

[^] 347V input (E3) options are not compatible with emergency battery options.

[§] 90 CRI Only

^{**} 80 CRI Only

Options

- EM[®] = Emergency Battery Pack w/remotely located Test Switch

Fixture:	Type:
Project:	

Manufactured and tested to UL#1598/8750 and CSA standards. Fixtures are not designed for direct contact with insulation.

All Pathway[®] products meet or exceed requirements as established by the National Electrical Code. Specifications subject to change without notice. Alzak[®] is a registered trademark of Alcoa.



Pathway Lighting Products, Inc., P.O. Box 591, Old Saybrook, CT 06475-0591
 voice 800.342.0592 • fax 800.207.0090 • www.pathwaylighting.com • e-mail: sales@pathwaylighting.com

LDFX25.1
CEUMUN

Dimming Options:

Specify option by suffix (shown in bold-face type)

Our White Paper regarding Linear vs. Logarithmic Operating Characteristics is available in our 'Downloads' section of our website, or you may request one by emailing Sales@PathwayLighting.com

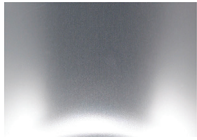
0-10V Dimming Options	Lutron Dimming Options	DALI Dimming Options
DA = Xitanium 1% 0-10V (linear) DB = Xitanium 1% 0-10V (logarithmic) DC = EldoLED 0-10V 0% (logarithmic) DD = EldoLED 0-10V 1% (logarithmic) DE = EldoLED 0-10V 0% (linear) DF = EldoLED 0-10V 1% (linear)	DG = Lutron Eco 1% (linear) DH = Lutron 3 wire 1% (linear) DJ = Lutron 2 wire 1% (linear)	DK = EldoLED DALI 0% (logarithmic) DL = EldoLED DALI 1% (logarithmic)
DMX Dimming Options	Misc. Dimming Options	
RDM COMPLIANT XC = DMX EldoLED 0% (logarithmic) XE = DMX EldoLED 0% (linear)	DM = 2-Wire Forward/Reverse Phase (120V)	

Delivered Lumen Data (3500K Color Temperature)

FIXTURE	LENS	RATED LUMENS	WATTAGE	DELIVERED LUMENS	BEAM DISTRIBUTION	LPW
4SFL2X835KRL1SCLPF	CLEAR POLYCARBONATE	800	9	659	89°	73.3
4SFL2X1135KRL1SCLPF	CLEAR POLYCARBONATE	1100	12	942	89°	78.5
4SFL2X1535KRL1SCLPF	CLEAR POLYCARBONATE	1500	15	1300	89°	86.7
4SFL2X2035KRL1SCLPF	CLEAR POLYCARBONATE	2000	21	1762	89°	83.9
4SFL2X835KRL2SCLPF	CLEAR TEMPERED GLASS	800	9	636	89°	70.7
4SFL2X1135KRL2SCLPF	CLEAR TEMPERED GLASS	1100	12	908	89°	75.7
4SFL2X1535KRL2SCLPF	CLEAR TEMPERED GLASS	1500	15	1254	89°	83.6
4SFL2X2035KRL2SCLPF	CLEAR TEMPERED GLASS	2000	21	1699	89°	80.9
4SFL2X835KRL3SCLPF	FROSTED ACRYLIC	800	9	581	85°	64.5
4SFL2X1135KRL3SCLPF	FROSTED ACRYLIC	1100	12	830	85°	69.1
4SFL2X1535KRL3SCLPF	FROSTED ACRYLIC	1500	15	1146	85°	76.4
4SFL2X2035KRL3SCLPF	FROSTED ACRYLIC	2000	21	1553	85°	73.9

Scaling factors for other color temperatures: 3000K = 0.97 ; 4000K = 1.03 ; 5000K = 0.98
90 CRI = 0.83

Available Reflector Finishes



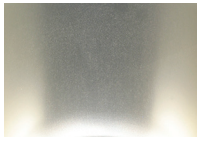
Clear
Soft Specular **"SCL"**



Pewter
Diffused **"EPW"**
Soft Specular **"SPW"**



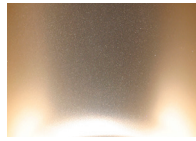
Haze
Diffused **"HAZ"**



Straw
Diffused **"EST"**
Soft Specular **"SST"**



Bronze
Diffused **"EBZ"**
Soft Specular **"SBZ"**



Wheat
Diffused **"EWT"**
Soft Specular **"SWT"**

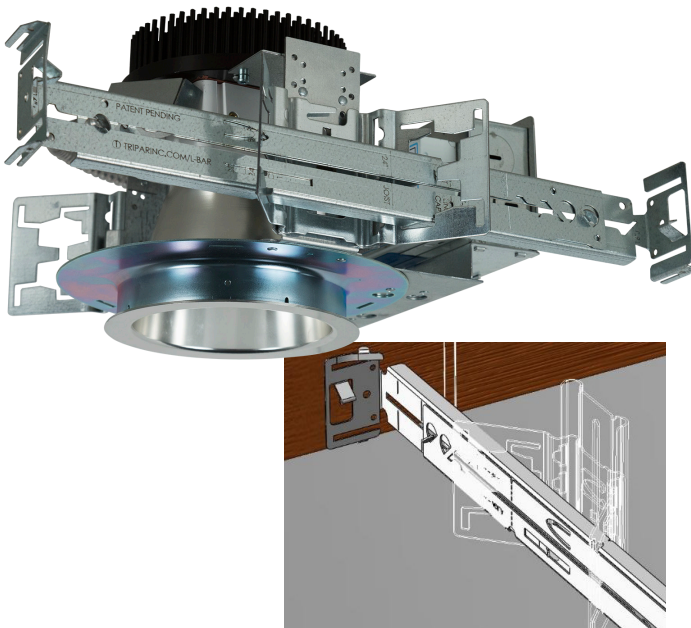
Our standard reflector finish is soft specular clear Alzak (SCL) with a polished self-flange (PF). Additional hues are noted to left. Several of these are offered in both a soft specular and a diffused/matte finish. For colors not shown, contact our sales department for advice on custom anodized finishes.

Specified suffix of desired finish.

Example: 4VLEDSCLPF

For white painted flange omit PF.

Standard Hanger Bars



Interlocking L-Bar hanger bars are now standard with all recessed Coventry Architectural lighting fixtures. Installer friendly features include:

- L-Bars are fabricated from identical L-shaped cross sections that form a sturdy 1/2" by 1-1/2" C-channel profile for superior rigidity.
- Pre-marked with spacing locations for 24" T-bar; 16" and 24" joist ceilings (wood and metal).
- Extension locks with an easy-to-use integral twist tab. No separate fastener.
- Interlocking and expandable to 24". Can be increased to 36" or 48" with the use of one additional bars.
- Allows for offset mounting.
- Integral and barbed nail spike for wood joist ceilings.
- Fits into the c-channel notches on our butterfly mounting bracket.
- Complete details including video demonstration is available at www.pathwaylighting.com.

To increase the included L-Bar set to a 36" length, order two model #015-954 and use one per side. To increase to a 48" length, order one #LBAR which is a complete set of four bars and use two per side.