

APPLICATION

A decorative cylinder for surface, wall, cable or pendant mount is ideal for applications that require high lumen output, long lamp life and energy saving benefits of LED technology.

PRODUCT DATA

REFLECTOR: Spun aluminum reflector features a deep regressed lens in a variety of styles. Standard finish is soft clear Alzak with matching polished flange. Optional finishes available.

HOUSING: Unique 2-part cylinder housing with exposed fins allows proper ventilation of LED engine. Heavy-gauge aluminum is finished to an architectural grade with a standard exterior finish of matte white, powder coat paint. Optional or custom colors available.

ELECTRICAL: 120 to 277 VAC, 50-60 Hz.

LED MODULE & DRIVER: Bridgelux Vero 29 LED module and driver.
CRI = 80. Available in 90 CRI.

- Expected lamp life to be 50,000 hours with 70% lumen maintenance when ambient temperatures do not exceed 35°C. Lower ambient temperatures yield longer lamp life.

HEAT MANAGEMENT: Engineered heat sink provides passive cooling for optimum heat management of LED engine.

DIMMING: See below for available dimming options. Dimming models not available with coiled cord mounting.

See last page for mounting options.

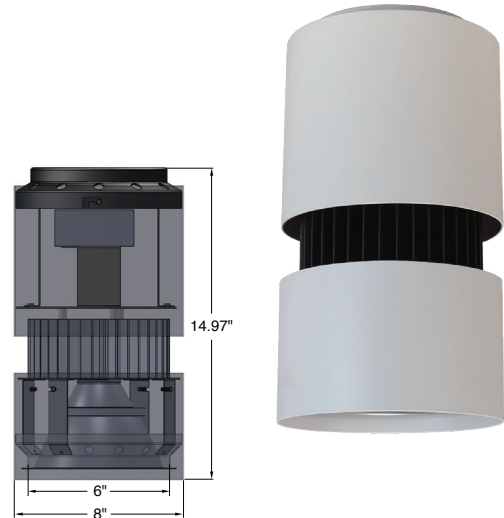


Damp Location

CALIBER PLUS

SERIES C68SLB79V Lensed Vero LED Cylinder Downlight 829 - 8559 Lumen Bridgelux

**5 Year
Warranty**



Catalog #:

C68

Example: C68SLB79V804KM

6PLED

Example: 6PLEDL7SCLPF

Fixture Series	Delivered Lumens (Range)	Color Temp.	Beam Dist.	Dimming	Trim	Trim Finish w/polished flange
Surface C68SLB79V Pendant C68PLB79V Wall C68WLB79V Coiled Cord C68C* LB79V Straight Cord C68A* LB79V	10 = (829L - 941L, 10W) 20 = (1658L - 1882L, 18W) 30 = (2412L - 2739L, 27W) 40 = (3166L - 3595L, 35W) 50 = (3920L - 4451L, 43W) 60 = (4674L - 5307L, 52W) 70 = (5578L - 6334L, 65W) 80 = (6483L - 7360L, 75W) 90 = (7010L - 7959L, 83W) 100 = (7538L - 8559L, 90W)	5K (5000K) 4K (4000K) 35K (3500K) 3K (3000K) 27K (2700K)	L = Wide, Primary for use with lensed reflector.	Blank = No Dimming D8 Xitanium 1% 0-10V (linear) standard See Next Page for Dimming Options	6PLED	Downlight Reflector for the Following Lenses: L3 - C73 Prismatic Glass Lens, 58° Beam L5 - Frosted Glass Lens, 59° Beam L6 - Frosted Acrylic Lens Option, 57° Beam L7 - Solite Micro-Prismatic Glass Lens, 62° Beam L8 - Clear Poly Carbonate Lens Option, 64° Beam L9 - Clear Tempered Glass Lens Option, 64° Beam SCLPF - Soft Specular Clear Alzak HAZPF - Haze Alzak
	C9 = 90 CRI See following page for details on delivered lumens.					For white painted flange, drop "PF" from Catalog #. For other finishes, consult reflector section.

* 1 = white canopy/ white cord
 3 = black canopy/ white cord
 5 = bronze canopy/ white cord
 7 = silver canopy/ white cord

2 = white canopy/ black cord
 4 = black canopy/ black cord
 6 = bronze canopy/ black cord
 8 = silver canopy/ black cord

Optional Finishes

Suffix #

Suffix #

- Black Cylinder Housing - B
- Bronze Cylinder Housing - Z
- Galvanite Housing - GAL
- Satin Aluminum Housing - SA
- Metallic Aluminum Housing.... - MA
- Colors, See Next Page

Fixture:	Type:
Project:	

Options

- F = Fuse and Fuse Holder

Manufactured and tested to UL#1598 and CSA standards.
 Note: Suitable for damp location.

Fixtures are not designed for direct contact with insulation.
 All Pathway® products meet or exceed requirements as established by the National Electrical Code. Specifications subject to change without notice.
 Alzak® is a registered trademark of Alcoa.

Dimming Options:

Specify option by suffix (shown in bold-face type)
Our White Paper regarding Linear vs. Logarithmic Operating Characteristics is available in our 'Downloads' section of our website,
or you may request one my emailing Sales@PathwayLighting.com

0-10V Dimming Options	Lutron Dimming Options	DALI Dimming Options
D8 = Xitanium 1% 0-10V (linear) DL8 = Xitanium 1% 0-10V (logarithmic) ELD = EldoLED 0-10V 0% (logarithmic)* ELD1 = EldoLED 0-10V 1% (logarithmic)* ELD2 = EldoLED 0-10V 0% (linear)* ELD3 = EldoLED 0-10V 1% (linear)* LS = LumaStream .3% (logarithmic) 8000L & 10,000L only	DE4 = Lutron Eco 1% (linear) [§] D7 = Lutron 3 wire 1% (linear) [§] DT1 = Lutron 2 wire 1% (linear) [§]	DAL = EldoLED DALI 0% (logarithmic)* DAL1 = EldoLED DALI 1% (logarithmic)*

DMX^ Dimming Options (interfaced through 0-10V driver)	PathWave^ Wireless Dimming Options (interfaced through 0-10V driver)
DMXD8 = DMX Xitanium 1% (linear) ^ DMXDL8 = DMX Xitanium 1% (logarithmic) ^ DMXELED = DMX EldoLED 0% (logarithmic)*^ DMXELED1 = DMX EldoLED 1% (logarithmic)*^ DMXELED2 = DMX EldoLED 0% (linear)*^ DMXELED3 = DMX EldoLED 1% (linear) *^ DMXLS = DMX/LumaStream .3% (logarithmic) 8000L & 10,000L only ^	PWVD8 = PathWave/Xitanium 1% 0-10V (linear) ^ PWVDL8 = PathWave/Xitanium 1% 0-10V (logarithmic) ^ PWVELD = PathWave/EldoLED 0% (logarithmic) *^ PWVELD1 = Pathwave/EldoLED 1% (logarithmic) *^ PWVELD2 = PathWave/EldoLED 0% (linear) *^ PWVELD3 = PathWave/EldoLED 1% (linear) *^ PWVLS = PathWave/LumaStream .3% (logarithmic) 8000L & 10,000L only ^

* EldoLED options are only available on models with lumen designations 10-60.
 § Lutron options are only available on models with lumen designations 10-50.
 ^ DMX and Pathwave options require the use of the DMX ceiling canopy and are not available on wall mount models.

Delivered Lumen Data (3500K Color Temperature) - C73 Prismatic Glass

FIXTURE	TRIM	WATTAGE	RATED LUMENS	DELIVERED LUMENS	BEAM DISTRIBUTION	LPW
C68SLB79V1035KL	6PLEDL3SCLPF	10	1000	916	58°	91.60
C68SLB79V2035KL	6PLEDL3SCLPF	18	2000	1832	58°	101.78
C68SLB79V3035KL	6PLEDL3SCLPF	27	3000	2665	58°	98.70
C68SLB79V4035KL	6PLEDL3SCLPF	35	4000	3498	58°	99.94
C68SLB79V5035KL	6PLEDL3SCLPF	43	5000	4265	58°	99.19
C68SLB79V6035KL	6PLEDL3SCLPF	62	6000	5164	58°	83.29
C68SLB79V7035KL	6PLEDL3SCLPF	65	7000	6164	58°	94.83
C68SLB79V8035KL	6PLEDL3SCLPF	75	8000	6490	58°	86.53
C68SLB79V9035KL	6PLEDL3SCLPF	83	9000	7745	58°	93.31
C68SLB79V10035KL	6PLEDL3SCLPF	90	10000	8329	58°	92.54

Above Values reflect 3500K color temperatures.
 Scaling factors for other temperatures: 2700K = .92 ; 3000K = .97 ; 4000K = 1.01 ; 5000K = 1.04
 90 CRI = .83

Delivered Lumen Data (3500K Color Temperature) - Frosted Glass

FIXTURE	TRIM	WATTAGE	RATED LUMENS	DELIVERED LUMENS	BEAM DISTRIBUTION	LPW
C68SLB79V1035KL	6PLEDL5SCLPF	10	1000	829	59°	82.90
C68SLB79V2035KL	6PLEDL5SCLPF	18	2000	1658	59°	92.11
C68SLB79V3035KL	6PLEDL5SCLPF	27	3000	2412	59°	89.33
C68SLB79V4035KL	6PLEDL5SCLPF	35	4000	3166	59°	90.46
C68SLB79V5035KL	6PLEDL5SCLPF	43	5000	3920	59°	91.16
C68SLB79V6035KL	6PLEDL5SCLPF	62	6000	4674	59°	75.39
C68SLB79V7035KL	6PLEDL5SCLPF	65	7000	5578	59°	85.82
C68SLB79V8035KL	6PLEDL5SCLPF	75	8000	6483	59°	86.44
C68SLB79V9035KL	6PLEDL5SCLPF	83	9000	7010	59°	84.46
C68SLB79V10035KL	6PLEDL5SCLPF	90	10000	7538	59°	83.76

Above Values reflect 3500K color temperatures.
Scaling factors for other temperatures: 2700K = .92 ; 3000K = .97 ; 4000K = 1.01 ; 5000K = 1.04
90 CRI = .83

Delivered Lumen Data (3500K Color Temperature) - Frosted Acrylic

FIXTURE	TRIM	WATTAGE	RATED LUMENS	DELIVERED LUMENS	BEAM DISTRIBUTION	LPW
C68SLB79V1035KL	6PLEDL6SCLPF	10	1000	869	57°	86.90
C68SLB79V2035KL	6PLEDL6SCLPF	18	2000	1739	57°	96.61
C68SLB79V3035KL	6PLEDL6SCLPF	27	3000	2560	57°	94.81
C68SLB79V4035KL	6PLEDL6SCLPF	35	4000	3320	57°	94.86
C68SLB79V5035KL	6PLEDL6SCLPF	43	5000	4111	57°	95.60
C68SLB79V6035KL	6PLEDL6SCLPF	62	6000	4902	57°	79.06
C68SLB79V7035KL	6PLEDL6SCLPF	65	7000	5851	57°	90.02
C68SLB79V8035KL	6PLEDL6SCLPF	75	8000	6799	57°	90.65
C68SLB79V9035KL	6PLEDL6SCLPF	83	9000	7352	57°	88.58
C68SLB79V10035KL	6PLEDL6SCLPF	90	10000	7926	57°	88.07

Above Values reflect 3500K color temperatures.
Scaling factors for other temperatures: 2700K = .92 ; 3000K = .97 ; 4000K = 1.01 ; 5000K = 1.04
90 CRI = .83

Delivered Lumen Data (3500K Color Temperature) - Solite Micro-Prismatic Glass

FIXTURE	TRIM	WATTAGE	RATED LUMENS	DELIVERED LUMENS	BEAM DISTRIBUTION	LPW
C68SLB79V1035KL	6PLEDL7SCLPF	10	1000	905	62°	90.50
C68SLB79V2035KL	6PLEDL7SCLPF	18	2000	1921	62°	106.72
C68SLB79V3035KL	6PLEDL7SCLPF	27	3000	2795	62°	103.52
C68SLB79V4035KL	6PLEDL7SCLPF	35	4000	3668	62°	104.80
C68SLB79V5035KL	6PLEDL7SCLPF	43	5000	4780	62°	111.17
C68SLB79V6035KL	6PLEDL7SCLPF	62	6000	5415	62°	87.34
C68SLB79V7035KL	6PLEDL7SCLPF	65	7000	6463	62°	99.43
C68SLB79V8035KL	6PLEDL7SCLPF	75	8000	7511	62°	100.15
C68SLB79V9035KL	6PLEDL7SCLPF	83	9000	8122	62°	97.86
C68SLB79V10035KL	6PLEDL7SCLPF	90	10000	8733	62°	97.03

Above Values reflect 3500K color temperatures.

Scaling factors for other temperatures: 2700K = .92 ; 3000K = .97 ; 4000K = 1.01 ; 5000K = 1.04

90 CRI = .83

Delivered Lumen Data (3500K Color Temperature) - Clear Poly Carbonate Lens

FIXTURE	TRIM	WATTAGE	RATED LUMENS	DELIVERED LUMENS	BEAM DISTRIBUTION	LPW
C68SLB79V1035KL	6PLEDL8SCLPF	10	1000	939	64°	93.90
C68SLB79V2035KL	6PLEDL8SCLPF	18	2000	1878	64°	104.33
C68SLB79V3035KL	6PLEDL8SCLPF	27	3000	2733	64°	101.22
C68SLB79V4035KL	6PLEDL8SCLPF	35	4000	3587	64°	102.49
C68SLB79V5035KL	6PLEDL8SCLPF	43	5000	4441	64°	103.28
C68SLB79V6035KL	6PLEDL8SCLPF	62	6000	5295	64°	85.40
C68SLB79V7035KL	6PLEDL8SCLPF	65	7000	6320	64°	97.23
C68SLB79V8035KL	6PLEDL8SCLPF	75	8000	7345	64°	97.93
C68SLB79V9035KL	6PLEDL8SCLPF	83	9000	7942	64°	95.69
C68SLB79V10035KL	6PLEDL8SCLPF	90	10000	8540	64°	94.89

Above Values reflect 3500K color temperatures.

Scaling factors for other temperatures: 2700K = .92 ; 3000K = .97 ; 4000K = 1.01 ; 5000K = 1.04

90 CRI = .83

Delivered Lumen Data (3500K Color Temperature) - Clear Tempered Glass

FIXTURE	TRIM	WATTAGE	RATED LUMENS	DELIVERED LUMENS	BEAM DISTRIBUTION	LPW
C68SLB79V1035KL	6PLEDL9SCLPF	10	1000	941	64°	94.10
C68SLB79V2035KL	6PLEDL9SCLPF	18	2000	1882	64°	104.56
C68SLB79V3035KL	6PLEDL9SCLPF	27	3000	2739	64°	101.44
C68SLB79V4035KL	6PLEDL9SCLPF	35	4000	3595	64°	102.71
C68SLB79V5035KL	6PLEDL9SCLPF	43	5000	4451	64°	103.51
C68SLB79V6035KL	6PLEDL9SCLPF	62	6000	5307	64°	85.60
C68SLB79V7035KL	6PLEDL9SCLPF	65	7000	6334	64°	97.45
C68SLB79V8035KL	6PLEDL9SCLPF	75	8000	7360	64°	98.13
C68SLB79V9035KL	6PLEDL9SCLPF	83	9000	7959	64°	95.89
C68SLB79V10035KL	6PLEDL9SCLPF	90	10000	8559	64°	95.10

Above Values reflect 3500K color temperatures.

Scaling factors for other temperatures: 2700K = .92 ; 3000K = .97 ; 4000K = 1.01 ; 5000K = 1.04

90 CRI = .83

MOUNTING: (Specify when ordering.)

Ceiling (Surface) Mount – Provided with mounting holes for securement to 4" octagon junction box.

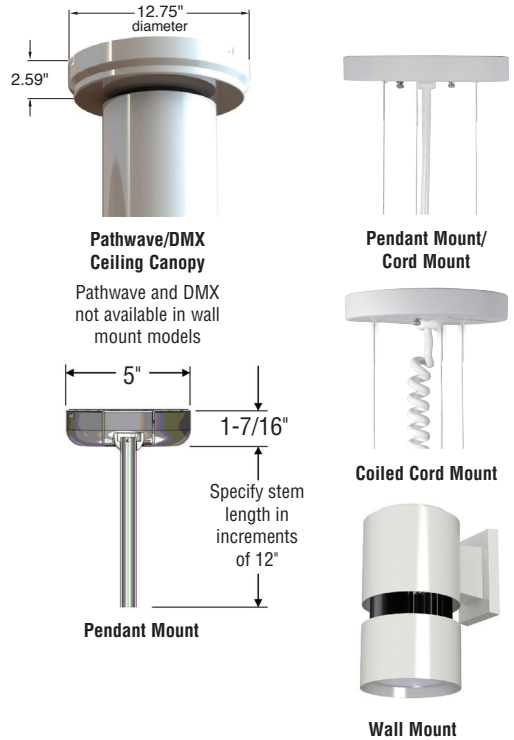
Wall Mount – Standard bracket protrudes 3.25" from wall. Mounts to 4" octagon junction box. Wall bracket for DMX and Pathwave products protrudes 5.17" from wall.

Pendant Mount – Swivel mount canopy allows cylinder to hang plumb up to 45° sloped ceiling stem 3/8" IPS (specify length) canopy adds 1.5" to overall length. Standard finish white powder coat. Specify Pendant Kit as follows:

EXAMPLE: PK 24 W DMX

- Swivel Pendant Kit _____
- Stem Length in inches (add 1.5" for canopy) _____
- White Finish (W), Black (B), or Bronze (Z) _____
- Pendant Kit for DMX and Pathwave models _____

Cable/Cord Mount – Supplied with 10' field adjustable aviation cable and either straight or coiled cord. Ceiling canopy to match finish on cylinder housing. Custom lengths available.



COLOR CHART

Standard Finishes (Powder Coat)



Special Finishes (Powder Coat)

Specify color followed by finish: 1 = Matte; 2 = Semi-Gloss; 3 = Gloss

Example: BA1



Custom finishes and colors available on request.