

APPLICATION

Modular Accent fixtures are suitable for retail, commercial and hospitality applications requiring adjustable accent lighting with an energy efficient LED lamp source and minimal glare.

PRODUCT DATA

LIGHTING HEAD: Square, adjustable head is die-cast aluminum and finished with a durable powder coat finish. Each head rotates 180 degrees and maintains position with a friction-lock mechanism. 35-degree, dual-axis tilt features a locking knob. High-performance StellarGlo™ TIR optics deliver three beam distribution options with superb cut-off, providing quiet ceilings and glare-free illumination. 80 CRI is standard.

HOUSING: Heavy-gauge steel housing with durable powder coat finish is ventilated for optimal cooling. Standard plaster flange accommodates ceilings up to 1-1/2" thick. Multiple conduit knockouts are provided for through branch circuit wiring. Driver is accessible through aperture.

MOUNTING: Universal Mounting brackets adjust vertically and accepts L-BAR interlocking, expandable c-channel hanger bars which are supplied standard. L-BARS are suitable for T-bar, wood joist and metal joist ceiling styles.

ELECTRICAL: 120-277 VAC, 50-60 Hz.

HEAT MANAGEMENT: Engineered heat sink provides passive cooling for optimum heat management of the LED engine.

- Expected lamp life to be 50,000 hours with 70% lumen maintenance when ambient temperatures do not exceed 45°C. Lower ambient temperatures yield longer lamp life.

CALIBER PLUS

ARCHITECTURAL

SERIES MAQLD Modular Accent Recessed

LED Downlight – 1000-1600 Lumens

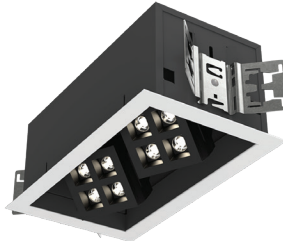
Modular Accent



3MAQLD



1MAQLD



2MAQLD



4SQMAQLD

5 Year
Warranty



Intertek
For Damp Location

Catalog #:

MAQLD

Example: 3MAQLD1635KMMMD8WWB

Fixture Series	Lumens (Per Head)	Color Temp.	Beam Dist. Head 1	Beam Dist. Head 2	Beam Dist. Head 3	Beam Dist. Head 4
1MAQLD = 1 Head 2MAQLD = 2 Head 3MAQLD = 3 Head 4SQMAQLD = 4 Head	10 = 1000L 13 = 1300L 16 = 1600L	4K (4000K) 35K (3500K) 3K (3000K) 27K (2700K)	S = 20° M = 33° W = 40°	S = 20° M = 33° W = 40°	S = 20° M = 33° W = 40°	S = 20° M = 33° W = 40°

Dimming	Interior Finish	Flange Finish	Head Finish
D8 = Xitanium 1%, 0-10V (linear) 120-277VAC D120 = Two-wire forward/reverse phase dimming, 120V only	B = Matte Black W = Matte White	B = Matte Black W = Matte White	B = Matte Black W = Matte White

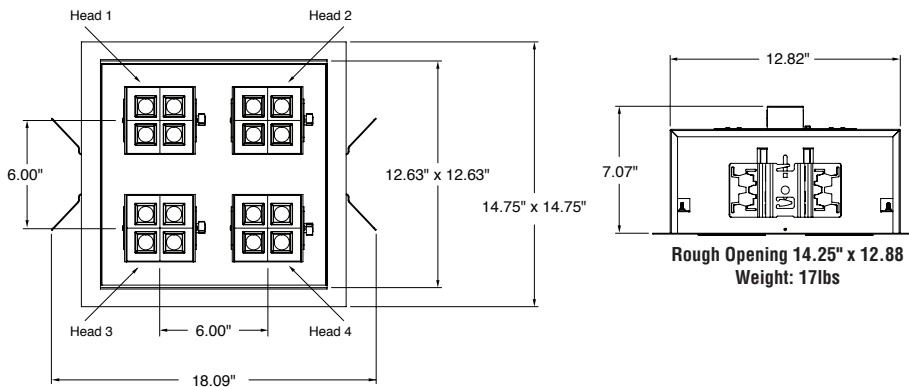
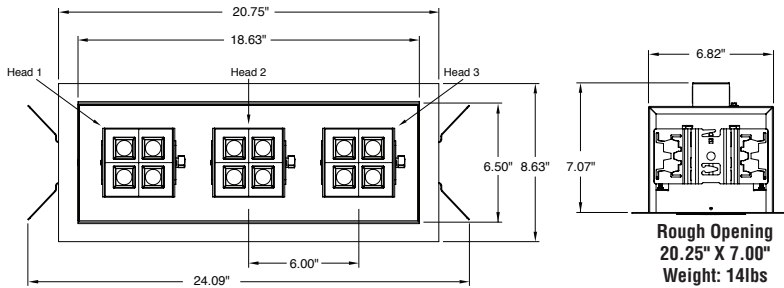
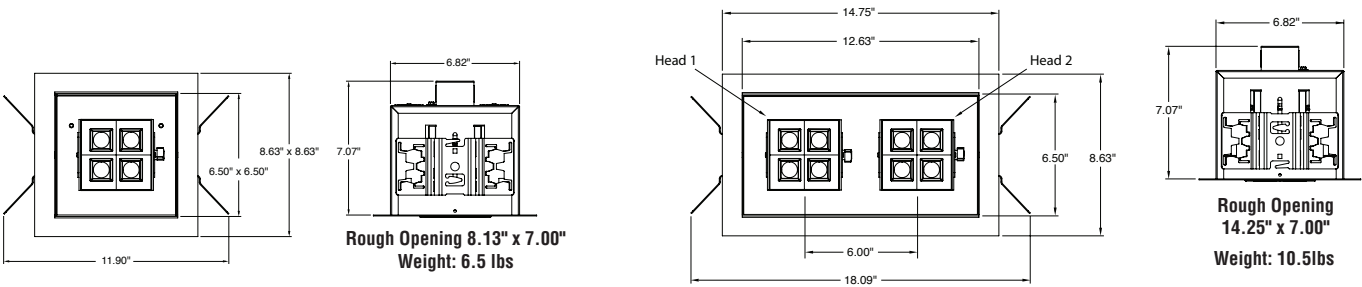
Fixture:	Type:
Project:	

Manufactured and tested to UL#1598, 8750 and CSA standards. Fixtures are not designed for direct contact with insulation.

All Pathway® products meet or exceed requirements as established by the National Electrical Code. Specifications subject to change without notice.

Delivered Lumen Data (Single Head, 3500K Color Temperature)

FIXTURE	TOTAL WATTAGE	LUMENS PER HEAD	BEAM DISTRIBUTION	EFFICACY (LPW)
1MAQLD1035KS	14.2	1000	20	70.4
1MAQLD1035KM	14.2	952	33	67.0
1MAQLD1035KW	14.2	912	40	64.2
1MAQLD1335KS	18	1300	20	72.2
1MAQLD1335KM	18	1237	33	68.7
1MAQLD1335KW	18	1185	40	65.8
1MAQLD1635KS	21.5	1600	20	74.4
1MAQLD1635KM	21.5	1523	33	70.8
1MAQLD1635KW	21.5	1459	40	67.9



CALIBER PLUS

ARCHITECTURAL

- Catalog No.** - 1MAQLD1635KS (20° beam distribution)
- Lumens** - 1600
- Spacing Criteria** - 0.32
- Efficacy** - 74.4 (delivered LPW)
- CCT** - 3500K

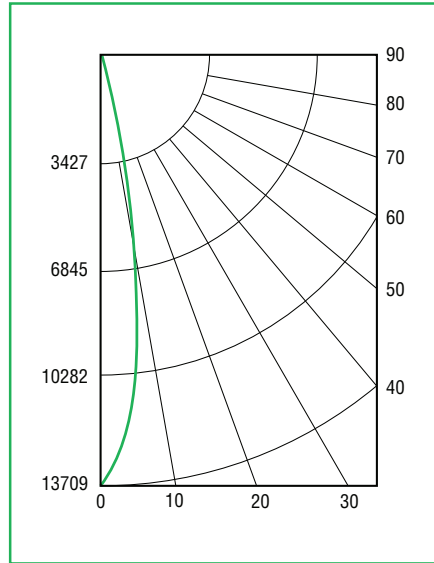
ZONAL LUMENS SUMMARY

Zone	Lumens	% OF LUMINAIRE
0-30	1600.47	100.00
0-40	1600.47	100.00
0-60	1600.47	100.00
0-80	1600.47	100.00
0-90	1600.47	100.00
90-180	0.00	0.00
0-180	1600.47	100.00

CANDELA

VERTICAL ANGLE	0
0	13708.877
5	11059.919
15	2057.954
25	77.542
35	0
45	0
55	0
65	0
75	0
85	0
90	0

CANDELA DISTRIBUTION



- Catalog No.** - 1MAQLD1635KM (33° beam distribution)
- Lumens** - 1523
- Spacing Criteria** - 0.52
- Efficacy** - 70.83 (delivered LPW)
- CCT** - 3500K

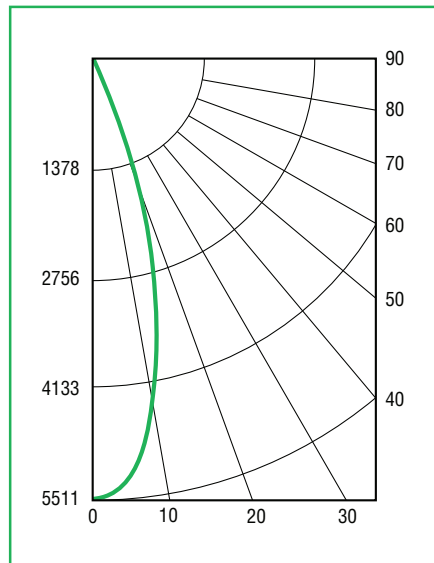
ZONAL LUMENS SUMMARY

Zone	Lumens	% OF LUMINAIRE
0-20	1225.71	80.50
0-30	1514.72	99.50
0-40	1522.79	100.00
0-60	1522.79	100.00
0-80	1522.78	100.00
0-90	1522.79	100.00
90-180	0.00	0.00
0-180	1522.79	100.00

CANDELA

VERTICAL ANGLE	0
0	5511.04
5	5179.2
15	2814.73
25	597.19
35	.084
45	0
55	0
65	0
75	0
85	0
90	0

CANDELA DISTRIBUTION



- Catalog No.** - 1MAQLD1635KW (40° beam distribution)
- Lumens** - 1460
- Spacing Criteria** - 0.62
- Efficacy** - 68 (delivered LPW)
- CCT** - 3500K

ZONAL LUMENS SUMMARY

Zone	Lumens	% OF LUMINAIRE
0-30	1051.73	72.00
0-40	1327.62	90.90
0-60	1460.21	100.00
0-80	1460.21	100.00
0-90	1460.21	100.00
90-180	0.00	0.00
0-180	1460.21	100.00

CANDELA

VERTICAL ANGLE	0
0	2395
5	2325.48
15	1583
25	871.76
35	428.89
45	152.37
55	0
65	0
75	0
85	0
90	0

CANDELA DISTRIBUTION

