

APPLICATION

Fluorescent lensed wall washer for even illumination of vertical surfaces. For use on all interior wall washing applications where high levels of illumination are required.

PRODUCT DATA

REFLECTOR: The two part reflector punches light through a prismatic lens to deliver high levels of evenly distributed light to a vertical surface. A primary reflector delivers efficiency to both the wall wash kicker reflector and the downlight component. The lower reflector maintains a low brightness appearance, consistent with the other products in the 6" family. Multiple standard and custom reflector finishes are available.

HOUSING: The mounting frame is fabricated from heavy gauge galvanized steel, providing a solid structure for the optical and electrical components. Butterfly brackets allow height adjustment from below. The upper reflector is permanently mounted to the housing, and the lower reflector and lens assembly are held into place using torsion springs. Standard plaster flange allows a one inch ceiling thickness.

MOUNTING: Universal mounting brackets adjust vertically 2.5" and accept a variety of hanger bars, C-Channel, EMT or rigid bars (see optional accessories).

ELECTRICAL: 120 to 277 volt input 50 to 60 Hz high power factor electronic ballasts are instant start, under 10% THD. Optional HPF Magnetic Ballasts are available (contact factory). Consult Technical Section for additional ballast operating data.

JUNCTION BOX: Heavy gauge galvanized junction box pre-wired with grounding pigtail. Easy access covers. Multiple conduit knockouts listed for through branch circuit wiring.

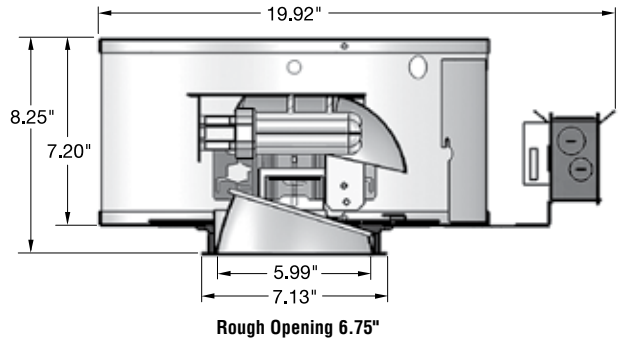
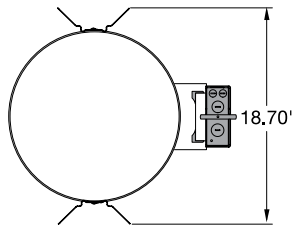
SOCKET: Positive latch four pin thermoplastic.

LAMP DATA:

LAMP	WATTS	BASE	BALLAST	LUMENS
Quad Tube 4-Pin	13	G24q-1	Elec.	900
	18	G24q-2	Elec.	1250
	26	G24q-3	Elec.	1800

LAMP	WATTS	BASE	BALLAST	LUMENS
Triple Tube 4-Pin	26	GX24q-3	Elec.	1800
	32	GX24q-3	Elec.	2400
	42	GX24q-4	Elec.	3200

Initial lumens



Listed

For Wet Location
Under Covered Ceiling

Manufactured and tested to UL#1598 and CSA standards.

Note: Suitable for damp location. Fixtures are not designed for direct contact with insulation.

Catalog Number – 6AHF

Example: 6AHF218QE4

Fixture Series	Lamp/Wattage	Ballast/Voltage	Options
6AHF	QTY	TYPE	See Below
	2	13Q Quad	
	2	18Q Quad	
	2	26Q Quad	
	1	26T Triple	
	1	32T Triple	
	1	42T Triple	
E4 Electronic120/277		* Refer to separate page for dimming ballast specifications and availability of other styles.	
D1 120V Lutron Dimming*			
D2 277V Lutron Dimming*			

/ 6AFLW

Example: 6AFLW2SCLPF

Trim	Trim Finish w/polished flange
6AFLW2	Linear Lens Wall Wash
6AFLW3	Prismatic Lens Wall Wash
SCLPF – Soft Specular Clear Alzak®	
For white painted flange, drop "PF" from Catalog #. For other finishes, consult reflector section.	

Optional Accessories

Hanger Bars (set of 2)

#101782 = #520 Caddy Bars	9152 = 52" C-Channel
#9127 = 27" C-Channel	27BH = 27" Solid Bar
#24CBH = 24" one-piece B-Line C-Channel hanger bar	

Fixture Type	Job Reference/Location
Lamp Type	Approval

Options

F = Fused
TL = Twist Lock Lamp Socket (26, 32 & 42 Watt Only)

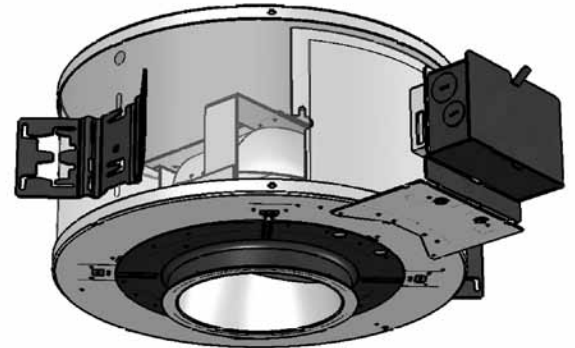
All Pathway® products meet or exceed requirements as established by the National Electrical Code. Specifications subject to change without notice. Alzak® is a registered trademark of Alcoa.

PATHWAY
the Lighting Source

Pathway Lighting Products, Inc., P.O. Box 591, Old Saybrook, CT 06475-0591
voice 800.342.0592 • fax 800.2070090 • www.pathwaylighting.com • e-mail: sales@pathwaylighting.com

Coventry
Architectural Series

SERIES 6AHF LW Fluorescent Wall Wash Quad & Triple Lamp Lensed Wall Washer



Series 6AHF LW - Fluorescent Wall Wash Quad & Triple Lamp Lensed Wall Washer

FL6.0
UUCECD

DOWNLIGHT FLOOD DISTRIBUTION

PERFORMANCE DATA

Distance From Ceiling	2' O.C.; 2' Set Back		3' O.C.; 3' Set Back	
	Below Fixtures	Between Fixtures	Below Fixtures	Between Fixtures
1'	27.6	28.6	4.7	7.1
2'	56.4	58.6	20.0	19.0
3'	43.3	48.2	25.1	26.1
4'	28.8	31.9	21.5	23.8
5'	18.7	20.3	16.9	18.9
6'	12.3	13.2	12.8	14.2
7'	8.3	8.8	9.6	10.5
8'	5.8	6.1	7.2	7.8
9'	4.2	4.3	5.5	5.9
10'	3.1	3.2	4.2	4.4

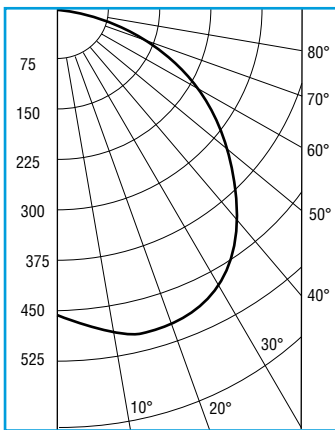
Initial Vertical Footcandles on Wall 2 X 26 Quad lamping

MULTIPLIER TABLE			
REFLECTOR FINISH	MULTIPLIER	LAMP	MULTIPLIER
Specular Pewter	0.96	2 x 13 W	0.50
Matte Pewter	0.93	2 x 18 W	0.70
Specular Wheat	0.94	2 x 26 W	1.00
Matte Wheat	0.90		
Specular Black	0.86		

Based on Osram/Sylvania published data.

2 X 26 WATT QUAD LAMPS

CANDELA DISTRIBUTION



SMH = 1.01

CANDELA

VERTICAL ANGLE	CD
0	460
5	472
10	485
15	502
20	510
25	500
30	478
35	442
40	410
45	372
50	338
55	282
60	234
65	187
70	133
75	56
80	42
85	26

EFF= 54.0%

AVERAGE LUMINANCE

Angle	CD/FT2
45°	862
55°	437
65°	92
75°	5
85°	0

Note: Data calculated using specular clear reflectors. Results may vary due to lamp and ballast variations, as well as ambient temperature and electrical input variance. Data shown are initial footcandles without contribution from redirected light or other sources.

PHOTOMETRIC DATA, available on CD in IES format, please contact factory.