

## APPLICATION

Light-Squares™ recessed downlights are ideal for low to medium height ceilings where a medium distribution and architecturally pleasing square aperture are desired. Two-piece reflector optics provide maximum efficiency.

## PRODUCT DATA

**REFLECTOR:** The specular upper reflector and lower soft specular splay trim offer excellent efficiency and low brightness. A complete range of textures and finishes are available to complement any décor. Diagonal prismatic lens is supplied to provide uniform beam distribution. Optional open reflector is available. A 9/16" overlap flange is standard and features a dieformed cover to eliminate appearance of mitered corners.

**MECHANICAL:** The housing is fabricated heavy gauge steel with galvanized finish and ventilated for heat dissipation. Integral universal vertical mounting brackets are provided to accept a variety of hanger bars. Standard aperture plaster flange allows for one-inch ceiling thickness. Ballast is accessible through aperture.

**ELECTRICAL:** 120 to 277 volt input 50 to 60 Hz high power factor electronic ballasts are instant start, under 10% THD. Consult Technical Section for additional ballast operating data. Ballast can be serviced from below the ceiling. Optional emergency ballast (-EM) operates one lamp for 90 minutes, remote faceplate with test switch and charger light. Integral push to test switch available (EMITS). Contact factory for more information.

**JUNCTION BOX:** Heavy gauge galvanized junction box pre-wired with grounding pigtail. Easy access covers. Multiple conduit knockouts listed for through branch circuit wiring.

**SOCKET:** Positive latch four pin thermoplastic. Twist lock lamp socket supplied standard for ease of relamping. Field adjustable socket position to accommodate all lamp types.

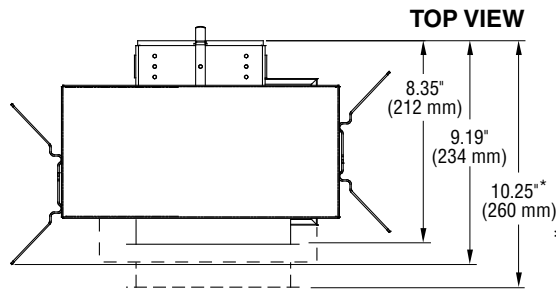
### LAMP DATA:

LAMP	WATTS	BASE	BALLAST	LUMENS
Triple Tube 4-Pin	26	GX24q-3	Elec.	1800
	32	GX24q-3	Elec.	2400
	42	GX24q-4	Elec.	3200

Initial lumens



For Wet Location Under Covered Ceiling *Manufactured and tested to UL#1598 and CSA standards.*  
 Note: Suitable for damp location and wet location under covered ceiling.



## SERIES 4SQHF

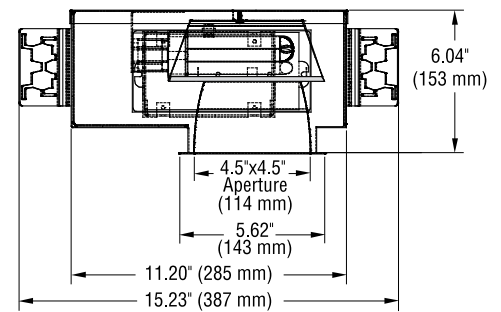
Square Aperture Downlight Horizontal Fluorescent

### LIGHT-SQUARES™



Optional suspended decorative lens (IC)

### ELEVATION



Catalog #:

4SQHF

Example: 4SQHF142TE4

Fixture Series	Lamp/Wattage	Ballast/Voltage	Options								
4SQHF	<table border="1"> <thead> <tr> <th>QTY.</th> <th>TYPE</th> </tr> </thead> <tbody> <tr> <td>1</td> <td>26T</td> </tr> <tr> <td>1</td> <td>32T</td> </tr> <tr> <td>1</td> <td>42T</td> </tr> </tbody> </table>	QTY.	TYPE	1	26T	1	32T	1	42T	E4 Electronic 120/277 D1 120V Lutron Dimming* D2 277V Lutron Dimming* * Refer to separate page for dimming ballast specifications and availability of other styles.	See Below
QTY.	TYPE										
1	26T										
1	32T										
1	42T										

/ 4SQHL3

Example: 4SQHL3SCLPF

Trim	Trim Finish w/polished flange
4SQHL3	- Diagonal Prismatic Lens
4SQHL5	- Frosted Lens
4SQH	- Open Reflector
IC	- Suspended Decorative Glass Lens
SCLPF	- Soft Specular Clear Alzak

For white painted flange, drop "PF" from Catalog #.  
 For other finishes, consult reflector section.

## Optional Accessories

Hanger Bars (set of 2)

- 101782 = #520 Caddy Bars
- 9152 = 52" C-Channel
- 9127 = 27" C-Channel
- 27BH = 27" Solid Bar
- 24CBH = 24" one-piece B-Line C-Channel hanger bar

Fixture:	Type:
Project:	

## Options

- \* EM = Emergency Battery Pack w/remotely located Test Switch
- \* EMITS = Emergency Battery Pack with Integral Test Switch installed in reflector
- F = Fused \* Note increased dimensions.

All Pathway® products meet or exceed requirements as established by the National Electrical Code. Specifications subject to change without notice. Alzak® is a registered trademark of Alcoa.

**SERIES 4SQHF – Square Aperture, Triple Tube Downlight Reflector**

**DOWNLIGHT - 42 WATT LAMP**

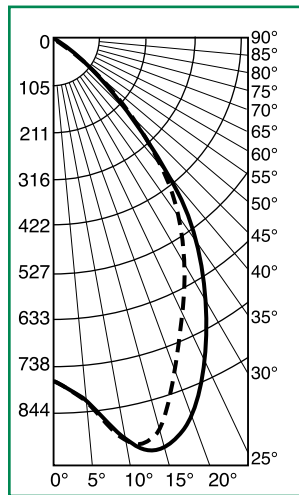
**Model Number:** 4SQHF142TE4/4SQHL3SCLPF  
**Lamp:** Single 42 Watt Triple Tube  
**Luminaire Efficiency:** Diagonal Prismatic Lens – 42%  
**SMHR:** 1.15

**PERFORMANCE DATA**

CONE OF LIGHT		
CEILING HEIGHT	FC (NADIR)	BEAM DIAM.
8.0'	12.1	16.6'
10.0'	7.7	20.7'
12.0'	5.4	24.9'
14.0'	3.9	29.0'

Initial Footcandles at 30" Work Plane  
 Beam diameter calculated at 50% of maximum fc at nadir.

**CANDELA DISTRIBUTION**



**LEGEND:**  
 0 - deg: - - -  
 90 - deg: ———

**CANDELA**

VERTICAL ANGLE	0	90
0.00	770	770
5.00	821	826
10.00	920	913
15.00	909	949
20.00	794	902
25.00	682	789
30.00	584	682
35.00	491	556
40.00	377	404
45.00	276	292
50.00	201	203
55.00	113	86.4
60.00	0.460	0.330
65.00	0.000	0.000
70.00	0.000	0.000
75.00	0.000	0.000
80.00	0.000	0.000
85.00	0.000	0.000
90.00	0.000	0.000

**COEFFICIENTS OF UTILIZATION**

PCC PW	.8				.7				.5			.3			.1			0
	.7	.5	.3	.1	.7	.5	.3	.1	.5	.3	.1	.5	.3	.1	.5	.3	.1	0
<b>RCR</b>																		0
0	49	49	49	49	48	48	48	48	45	45	45	44	44	44	42	42	42	41
1	46	45	44	43	45	44	43	42	42	41	41	41	40	39	39	39	38	37
2	43	41	39	38	42	40	39	37	39	37	36	38	36	35	37	36	35	34
3	41	38	35	33	40	37	35	33	36	34	32	35	33	32	34	33	31	31
4	38	34	32	30	37	34	31	30	33	31	29	32	30	29	31	30	28	28
5	36	32	29	27	35	31	29	27	30	28	26	30	28	26	29	27	26	25
6	33	29	26	24	33	29	26	24	28	26	24	27	25	24	27	25	24	23
7	31	27	24	22	31	27	24	22	26	24	22	26	23	22	25	23	22	21
8	29	25	22	20	29	25	22	20	24	22	20	24	21	20	23	21	20	19
9	28	23	20	18	27	23	20	18	23	20	18	22	20	18	22	20	18	18
10	26	22	19	17	26	21	19	17	21	19	17	21	18	17	20	18	17	16

**Note:** Data calculated using specular clear reflectors. Results may vary due to lamp and ballast variations, as well as ambient temperature and electrical input variance. Data shown are initial footcandles without contribution from redirected light or other sources.

PHOTOMETRIC DATA, available on CD in IES format, please contact factory.

Series 4SQHF - Triple Tube Square Aperture Downlight Horizontal Fluorescent