

INSTALLATION INSTRUCTIONS – RM6,8 VLED/LFS REMODEL LED LIGHTING FIXTURES : READ AND FOLLOW THESE INTRUCTIONS BEFORE INSTALLING FIXTURE:

This fixture is intended for installation in accordance with the National Electrical Code and local regulations.

To assure full compliance with local codes and regulations, check with your local electrical inspector before installation.

Caution: To avoid possible electric shock, be sure that power supply is turned off before installing or servicing this product.

These fixtures are **not** designed for direct contact with insulation. Keep insulation at least 3 inches away from any fixture surface or top which will entrap heat. Maximum ambient temperature of fixture is 45°C (114°F).

Notice: Thermally protected fixture. Blinking light may indicate that insulation is too close to fixture. Suitable for use in damp locations.

Housing Preparation:

1. Cut / enlarge round hole in ceiling material to 6-5/8" diameter minimum or 6-3/4" diameter **max.** for 6" fixtures, or 8-1/4" minimum to 8-1/2" **max.** for 8" fixtures.
2. Locate (4) plaster flange springs. (see Figure 1)
3. Insert plaster flange springs into housing ring. From inside of ring insert tip of spring into large portion of "T" slot, squeeze spring until "T" form of spring can snap through slot opening of "T" slot. (see Figure 2)
4. Pull feed wires through opening in ceiling to make wiring connections. Make connections by following instructions under, "Wiring."

Figure 1



Wiring:

1. Remove Junction box cover. Remove appropriate knockouts. Route AC circuit into junction box***, All AC supply connections must have a 90° C. minimum insulation rating. Connect AC wiring as follows:
Neutral input to **white** input wire, **120 or 277V hot leg** to **black** (or **red**) input wire, **green/copper wire** to **ground** wire.

*****Important note:** If unit is to be dimmed, route one (D7) or two (standard or DE4) additional two wires into junction box. For D7, connect dim control wire to **orange** input wire. For standard, connect **0-10V dimming control** wires to **violet (dim+)** and **gray (dim-)** input wires. For DE4, connect control wiring to the two **purple** input wires.

* For optional "EM" emergency pack, refer to separate instructions for additional circuit requirements, and wiring information

2. Once wiring is complete, re-install junction box cover.

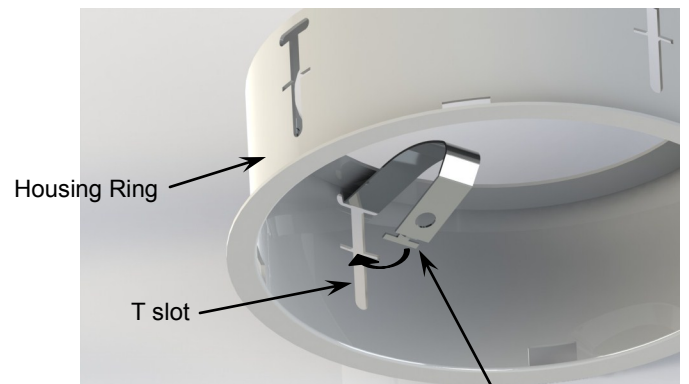


Figure 2

Housing installation:

1. Loosen support bracket wing nut. Be sure support bracket is collapsed into upper most position when installing product.
2. Feed fixture junction box first, through ceiling opening, pushing all the way up to seat lip of bottom housing ring against ceiling material.
3. While supporting product tight against ceiling material, push plaster flange springs all the way into "T" slots until it secures product in ceiling.
4. Allow support bracket to drop down against ceiling. Push up on body of LED engine on the jbox side of product while tightening the support bracket wing nut. (see figure 4)

Ceiling opening

Support bracket

Support bracket wing nut

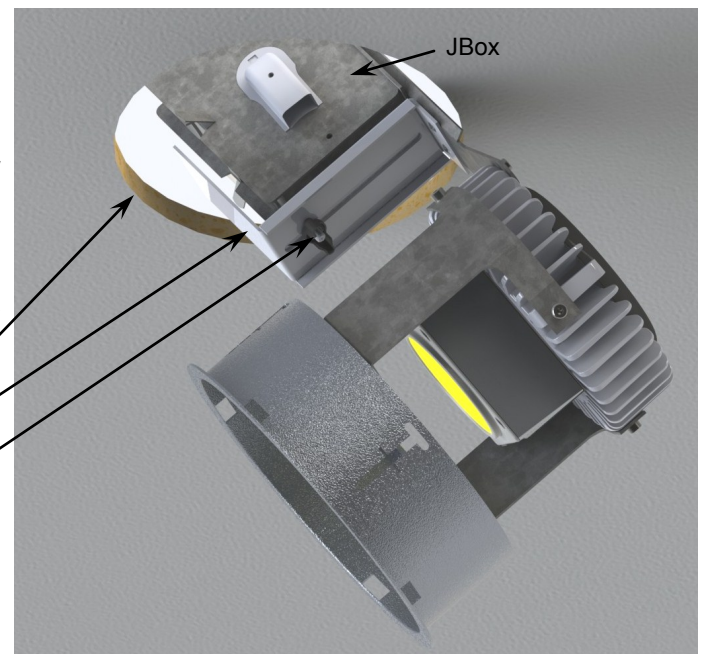


Figure 3

Install Trim :

1. Push trim through plaster flange and align top opening with LED engine. Push all the way until flange is seated against ceiling surface.

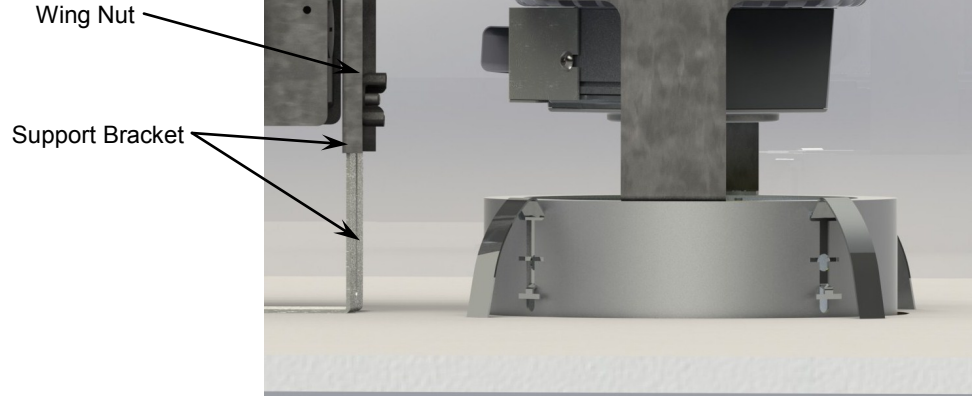
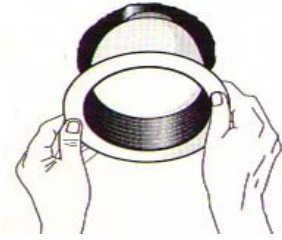


Figure 4

Compatible Dimming Control Manufacturers:

The flexibility provided by Philips Fortimo DLM 0-10V drivers includes the freedom to choose controls from a wide variety of manufacturers.

- | | | |
|--|---|---|
| AMX Corporation | Anigmo | Automated Logic Corp |
| Avab America | Colortran, Inc. | Cooper Controls |
| Crestron Electronics | Digital Lighting Systems | DimOnOff |
| Douglas Lighting Controls | Eaton | Electronics Diversified, Inc. |
| Encelium | Entertainment Technology | ETC (Electronic Theatre Controls) |
| Hubbell Building Automation | Hunt Dimming | Intelligent Lighting Controls |
| Johnson Controls | Leax Controls | Legrand/Pass and Seymour |
| Lehigh Electric Products Co. | Leviton Lighting Control Div. | Lighting Control and Design |
| Lightolier Controls | Lutron | Marlin Controls |
| Nexlight | Novar Controls | Payne Sparkman Mfg. Inc. |
| PDM Electrical Products | Philips Dynalite | Philips Lighting Controls |
| Philips Teletrol | PLC Multipoint | Sensor Switch |
| Starfield Controls | Sterner Controls | Strand Lighting |
| Synergy Lighting Controls | Touch-Plate Lighting | Vantage Lighting Control |
| Watt Stopper, Inc | | |

Before using any other control systems, contact Philips Technical Service at 1-800-372-3331 to insure compatibility.

Important note: This fixture is suitable for use with occupancy sensors, and other similar energy-saving control systems, which activate and inhibit the AC input to the fixture.

IMPORTANT NOTE: If unit fails to illuminate, disconnect AC circuit(s) immediately, and recheck wiring. Contact either the factory, or trained service personnel, for further assistance.

SAVE THESE INSTRUCTIONS

PATHWAY LIGHTING PRODUCTS, INC

175-5 Elm St. P.O. Box 591, Old Saybrook, CT 06475

PHONE (860) 388-6881 / (800) 342-0592 Fax (860) 388-5766 / (800) 207 0090

090-RM6_8VLED 09/12