

INSTALLATION INSTRUCTIONS – Regressed wet location (tamper proof) lens:

Install Frame Assembly:

1. Install frame assembly according to instructions provided with fixture frame..

Install Primary Optics:

1. Locate upper primary optical reflector and primary lens assembly.
2. Install primary optics (if applicable) as per instruction provided with primary optic and holder.

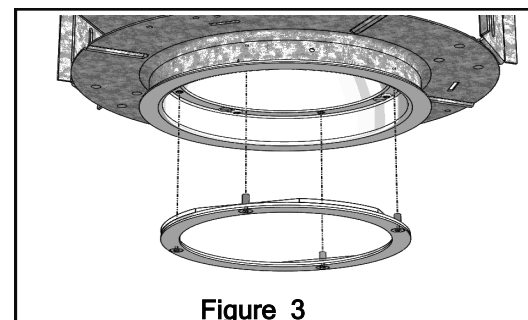
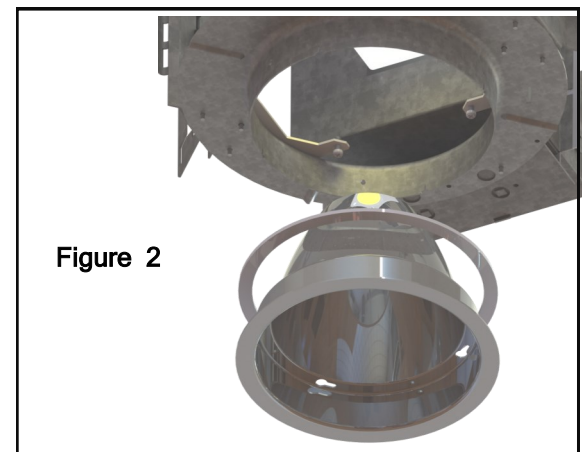
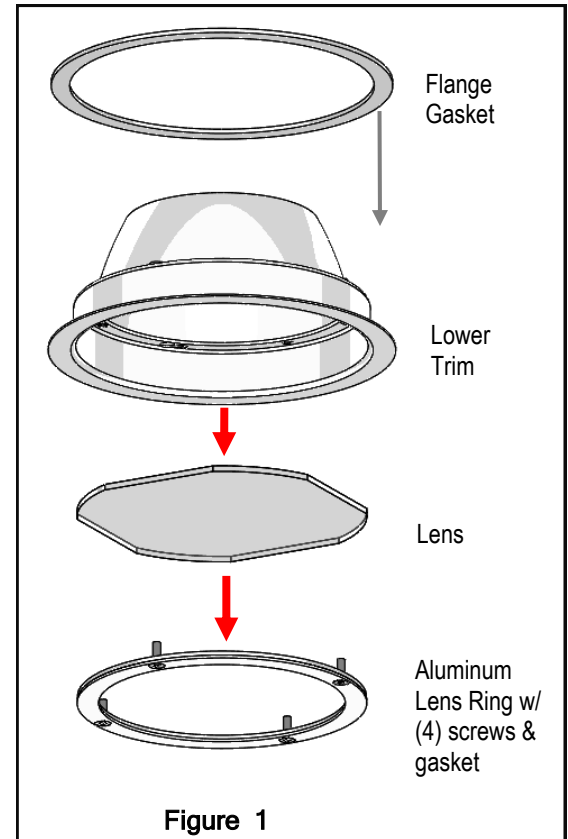
Install Finishing Trim:

1. Locate lower trim assembly and separate lens ring and lens from lower trim by loosening (4) flat head mounting screws. (Figure 1)
2. Be sure flange gasket is properly placed over flange of lower trim. (Figure 1)
3. Align keyslots of lower trim with (4) Phillips head mounting screws in frame assembly. Insert lower trim into frame opening and engage screws in keyslots. Twist trim clockwise and tighten (4) screws phillips head screws. (Figure 2)
4. Align flat sides of lens with (4) flat head screws protruding from lens ring/ring gasket. Support ring/gasket and lens with fingers and insert into lower trim while aligning (4) flat head screws with threaded insert in lower trim. Carefully thread flat head screw partially into threaded hole in lower trim. (Figure 3)
5. Repeat process for each screw, then tighten each screw to compress gasket. Do not overtighten.
6. Energize AC to illuminate fixture.

Removing Lens:

1. Use appropriate screw driver bit to loosen (4) mounting screws in aluminum lens ring from lower trim. Drop lens ring and lens out of recess of lower trim. Screws will remain captured in ring by the ring gasket. Access to (4) Phillips head mounting screws in lower trim will be possible to remove the lower trim from the frame.

Important note: If unit fails to operate, disconnect AC circuit immediately and re-check wiring. Contact factory, or trained service personnel for further assistance.
Always disconnect AC during relamping.



SAVE THESE INSTRUCTIONS
PATHWAY LIGHTING PRODUCTS, INC

175-5 Elm St. P.O. Box 591, Old Saybrook, CT 06475
PHONE (860) 388-6881 / (800) 342-0592 Fax (860) 388-5766 / (800) 207 0090

090-6VLRL 2/16