

**INSTALLATION INSTRUCTIONS: Field Cut Adjustable Stem System for Swivel Canopy Sets**



**ADJ Casting**



**SSS**



**ADJ-SS**



1- Cut stem to desired length and deburr inside edge. Insert **ADJ Casting** onto the stem with the edge of the cut even with the back of the casting, insert **ADJ-SS** screw (short one), tighten the set screw in the casting to the stem.



2- Drill a 1/8" Hole thru the hole on the casting opposite the set screw. Always use eye protection.



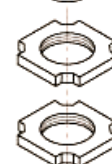
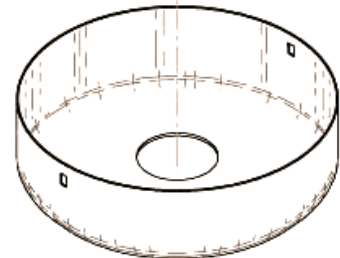
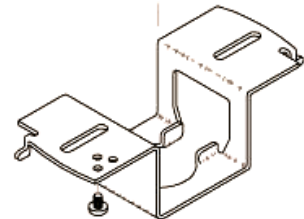
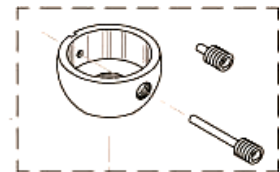
3- Loosen set screw in casting, rotate 180 degrees placing set screw centered on drilled 1/8" hole. Tighten screw allowing screw to be centered on hole. You should see pin on inside of tube when set correctly.



4- Drill a 2nd 1/8" Hole thru the hole on the casting opposite the set screw. Deburr any sharp edges on ID of stem from drilling holes.



5- Remove short set screw on casting and insert **SSS** (Socket Set Screw-Long One) into tapped hole thru the drilled hole in stem and thru to other side of stem. Tighten set screw using allen wrench so pin engages thru opposite 1/8" drilled hole on opposite side of stem and into casting.



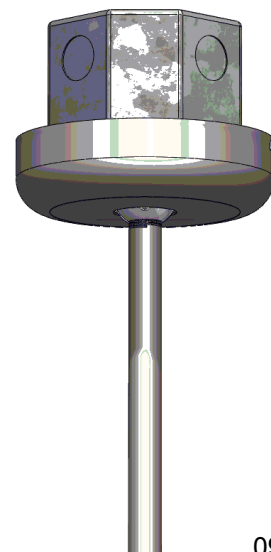
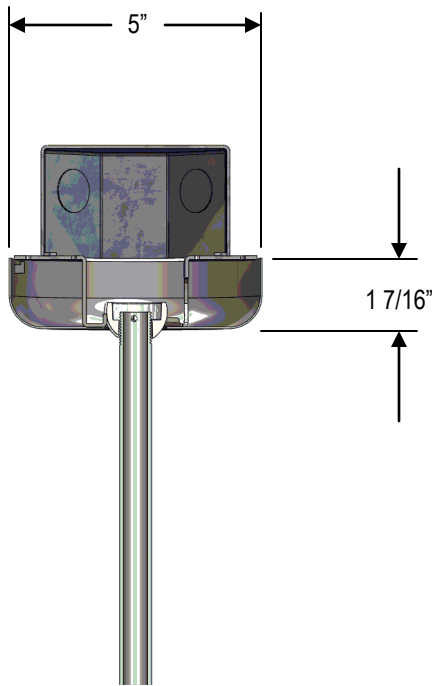
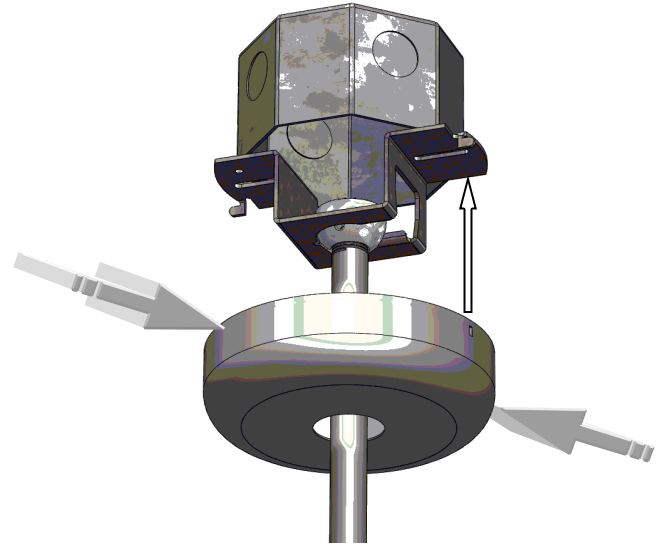
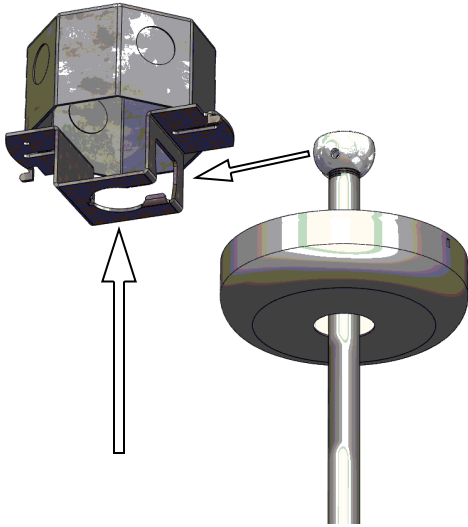
**SAVE THESE INSTRUCTIONS**  
**PATHWAY LIGHTING PRODUCTS, INC**

175-5 Elm St. P.O. Box 591, Old Saybrook, CT 06475

PHONE (860) 388-6881 / (800) 342-0592 Fax (860) 388-5766 / (800) 207 0090



Mount electrical box. Pathway recommends an octagonal junction box. **PLEASE NOTE**— electrical box must be installed and supported in a manner that is *capable of handling the physical load* of the fixture.



090-pendant 09/10

**SAVE THESE INSTRUCTIONS**  
**PATHWAY LIGHTING PRODUCTS, INC**  
175-5 Elm St. P.O. Box 591, Old Saybrook, CT 06475  
PHONE (860) 388-6881 / (800) 342-0592 Fax (860) 388-5766 / (800) 207 0090

